

Wet Hydrant

Model: MH-1511/1511A/1512/1512A

Air Release Valves

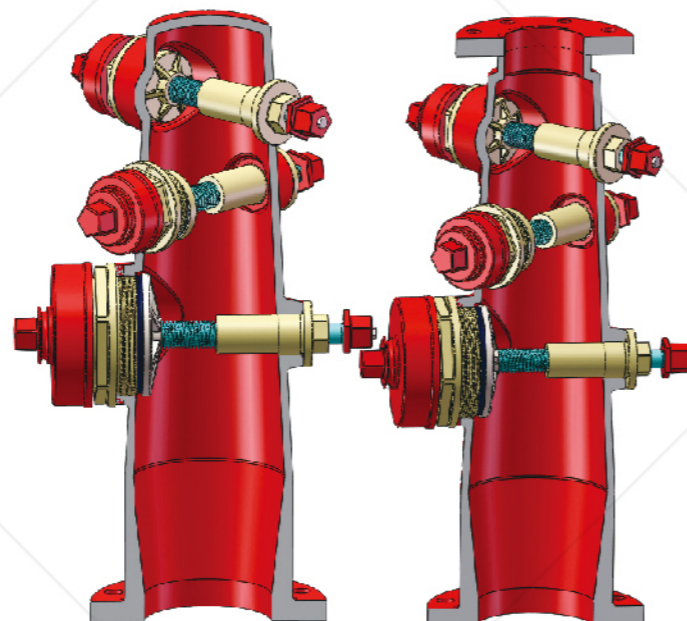
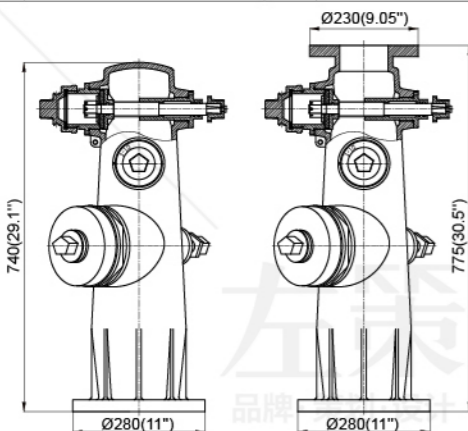
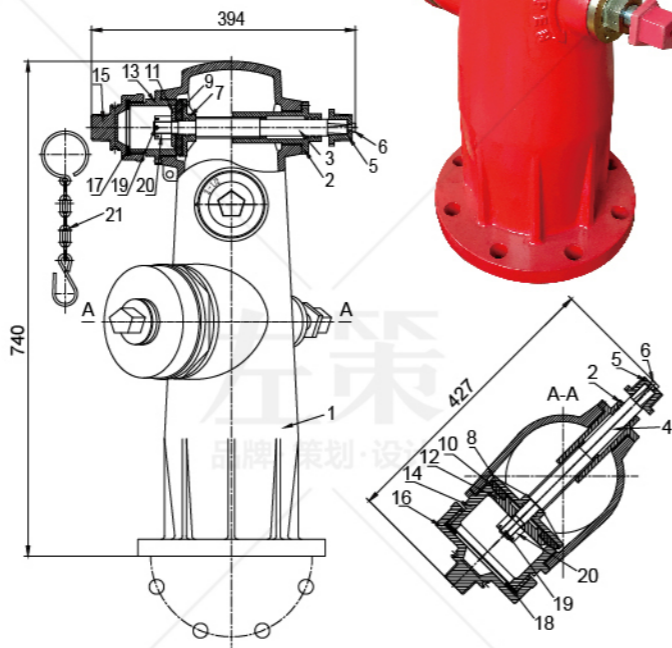
Model: MH-AMARV

Technical Features

- Design Standard: AWWA C503
- External Thread Standard: NFPA 1963 2.5"-7.5NH/4"-4NH/4.5"-4NH
- Water Inlet Flange Standard: ASTM B16.5 Class150 6"/DIN2501 PN16 DN150
- Maximum Adjust Pressure: 250PSI
- Monitor Flange Standard: ASTM B16.5 Class150 4"/DIN2501 PN16 DN100
- Working Temperature : 0°C-80°C

Valve Material List

NO.	Name	QTY	Material
1	Main Body	1	Ductile Iron
2	Nut	3	C954
3	2.5"Bolt	2	SS304/C954
4	4.5"Bolt	1	SS304/C954
5	Stem cap	3	Ductile Iron
6	Bolt	3	SS304
7	2.5"Tray	2	Ductile Iron/SS304/C954
8	4.5"Tray	1	Ductile Iron/SS304/C954
9	2.5"Sealing rubber sheet	2	EPDM
10	4.5"Sealing rubber sheet	1	EPDM
11	2.5"Platen	2	Ductile Iron/SS304/C954
12	4.5"Platen	1	Ductile Iron/SS304/C954
13	2.5"Outlet	2	C954
14	4.5"Outlet	1	C954
15	2.5"Outlet cover	2	Ductile Iron
16	4.5"Outlet cover	1	Ductile Iron
17	2.5"Cover gasket	2	EPDM
18	4.5"Cover gasket	1	EPDM
19	Cotter pin	3	SS304
20	Slotted nut	3	SS304
21	Cover chain		Gr.B



General Technical Information

Model Number	House Outlet Size	Pumper Hozzle Size	Monitor
MH-1511	2X2.5"	1X4.5"	N/A
MH-1511A	2X2.5"	1X4.5"	YES
MH-1512	2X2.5"	1X4"	N/A
MH-1512A	2X2.5"	1X4"	YES

NPT and BSPT Type

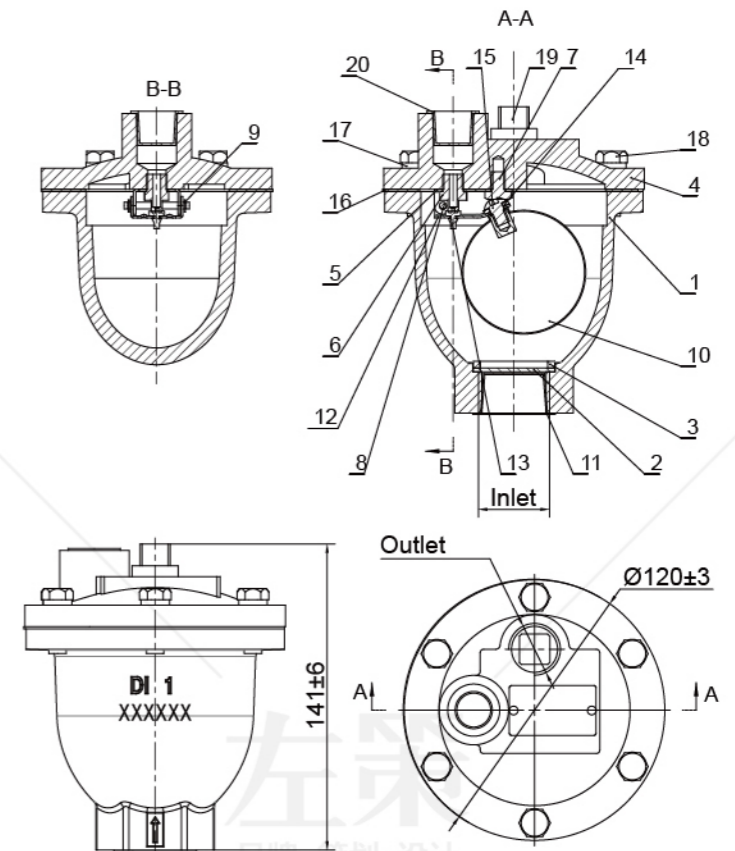
Technical Features

- Designed, manufactured: accordance with UL 2573/FM1344.
 - Test Standard:UL 2573/FM1344.
 - Temperature: 0 to 100°C
 - Normal size: 1"
 - Normal Pressure:175PSI
 - Test Pressure: Leakage Test 7PSI/263PSI, Strength Test 350PSI
 - Use in wet pipe sprinkler systems, or with horizontal split case pumps.
 - The inlets of the valves are 1-11 1/2NPT or R_c 1, the outlets of the valves are 1/2-14NPT or R_c 1/2.
- Advantages: This valve can ensure the excellent leak tightness and good venting capabilities under the rated working pressure.



Valve Material List

S./N.	Description of Parts	Materials
1	Valve Body	Ductile Iron
2	Filter Screen	SS316
3	Gasket Ring	Carbon Steel
4	Bonnet	Ductile Iron
5	Yoke	SS316
6	Valve Seat	SS316
7	Bolt	SS316
8	Valve Shaft	SS316
9	E Type Retainer Ring	SS304
10	Ball	SS316
11	Big Protective Cover	Plastic
12	Lever	SS316
13	Poppet	EPDM
14	Spring Washer	SS316
15	Hex Socket Head Bolt	SS304
16	Asbestos-free Gasket	CN-705
17	Spring Washer	Carbon Steel
18	Bolt	Carbon Steel
19	Plug	Ductile Iron
20	Small Protective Cover	Plastic



Connections for Installation

- The inlet connections shall be made using the external threads of tapered pipe thread 1-11 1/2NPT conforming to the standard ASME B 1.20.1-2013, and the outlet connections shall be made using the external threads of tapered pipe thread 1/2-14NPT conforming to the standard ASME B 1.20.1-2013.
- The inlet connections shall be made using the external threads of tapered pipe thread R21 conform to the standard ISO 7-1-1994, and the outlet connections shall be made using the external threads of tapered pipe thread R2 1/2 conforming to the standard ISO 7-1-1994.